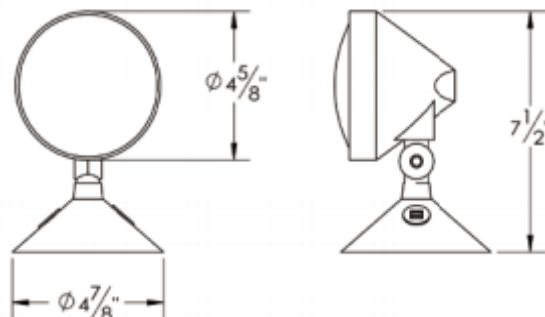


# EMI101 EML101 LED Exit & Emergency Light

<b>Catalog #</b>		<b>Prepared by</b>	LiteHarbor
<b>Project</b>		<b>Date</b>	
<b>Notes</b>			



## Housing

Injection-molded thermoplastic ABS housing.  
94V-0 flame rating.  
Fully adjustable glare-free emergency light heads.

## Electrical

120/277 VAC Dual voltage operation.  
Low power consumption-3.8 watts at normal operation, 15 watts at emergency operation.  
LED indicator light and push button test switch.  
Remote capability- may power additional remote heads ( up to 6V 12W) with additional battery.

## Lamp

2×6V 6W DC T5 wedge base lamps for emergency mode.

## Battery

Lead-Calcium Battery (6V 4.5Ah).  
May use additional battery, when add remote light heads to the fixture. ( Total 2pcs×6V 4.5 Ah battery)  
Low voltage battery disconnection.

## Mounting

Wall or Ceiling mounting.  
Easily removed mounting knock-outs and J-box pattern on back plate.

## Warranty

2 years limited warranty.



EXIT & EMERGENCY LIGHT



**Liteharbor Lighting Technology Co., Ltd.**

New Industry Area Hecun Danzao Town  
Nanhai Foshan City Guangdong China

TEL: +86-757-8180 8675

FAX: +86-757-8180 8685

E-mail: info@liteharbor.com

Website: www.liteharbor.com

Specifications subject to change w/o notice

Revision: Jan. 2015