

# EXL015 LED Exit & Emergency Light

|                  |  |                    |            |
|------------------|--|--------------------|------------|
| <b>Catalog #</b> |  | <b>Prepared by</b> | LiteHarbor |
| <b>Project</b>   |  | <b>Date</b>        |            |
| <b>Notes</b>     |  |                    |            |



**Exit Sign**



**Running Man**

### Description

- 1) Cold-rolled steel material or heavy duty 20 gauge steel or aluminum housing
- 2) Supplied standard with two pictogram films per face, for direction selection
- 3) AC-Only or self-powered models.
- 4) 120V/347V AC operation.
- 5) Long-life, energy-saving LED technology.
- 6) Canopy mounting system designed specifically for ease of installation.
- 7) Universal knockout chevrons.

### Housing Finish

WH / BK / Brushed Aluminum

### Mounting

Universal (wall, side or ceiling mounting)  
Key hole slots are stamped into the backplate

### Electrical

Dual voltage input 120-347 VAC, 60 Hz  
LED Light Source

### Order Matrix:

A   B   C   D   E   F   G

**Item No.: EXL015**

|        |                |
|--------|----------------|
| A      | Series         |
| EXL015 | Exit Light     |
| B      | Sign           |
|        | Exit Sign      |
| R      | Running        |
| C      | Input Voltage  |
|        | 120V           |
| 347    | 347V           |
| D      | Face Q'ty      |
| SF     | Single Face    |
| DF     | Double Face    |
| E      | Battery Backup |
|        | Battery Backup |
| AC     | AC Only        |



EXIT & EMERGENCY LIGHT



**Liteharbor Lighting Technology Co., Ltd.**  
New Industry Area Hecun Danzao Town  
Nanhai Foshan City Guangdong China

TEL: +86-757-8180 8675  
FAX: +86-757-8180 8685  
E-mail: info@liteharbor.com

Website: www.liteharbor.com  
Specifications subject to change w/o notice  
Revision: Oct. 2016

**Battery**

The sign is designed with a maintenance free Self-Powered model delivers 90 minutes min. of back-up lighting

Recharge time of the battery is twenty-four (24) hours.

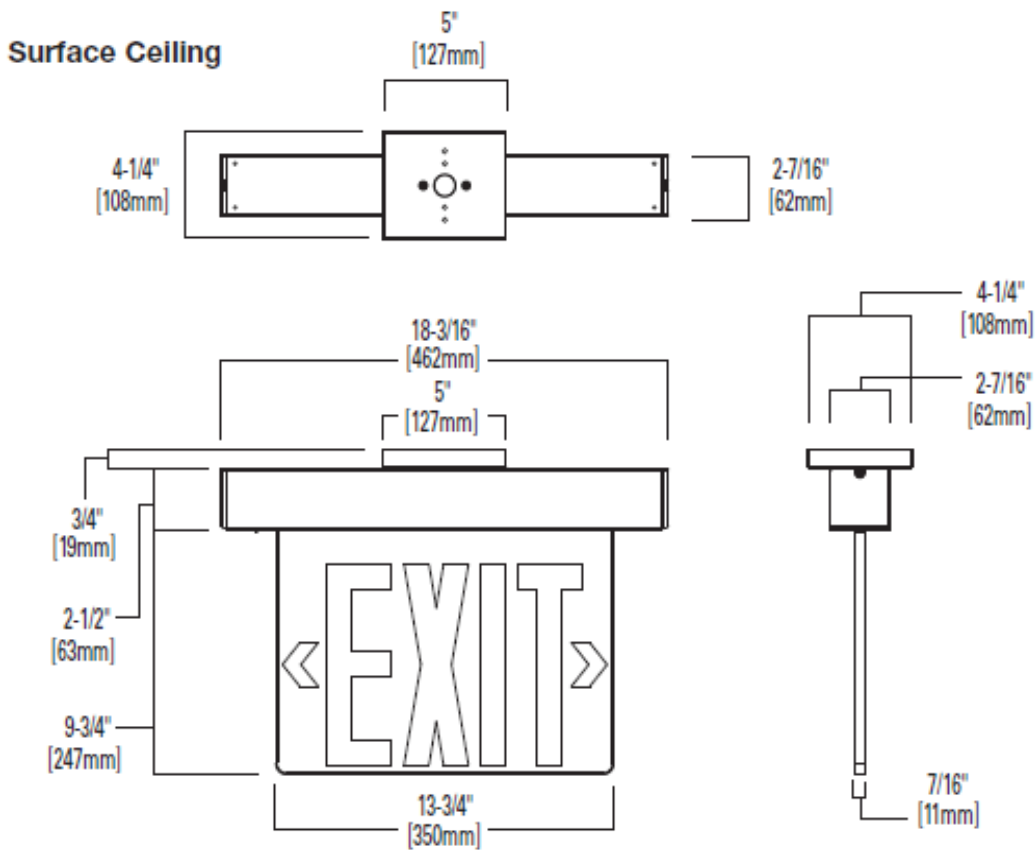
**Warranty**

EXIT: 2-Year Limited Warranty

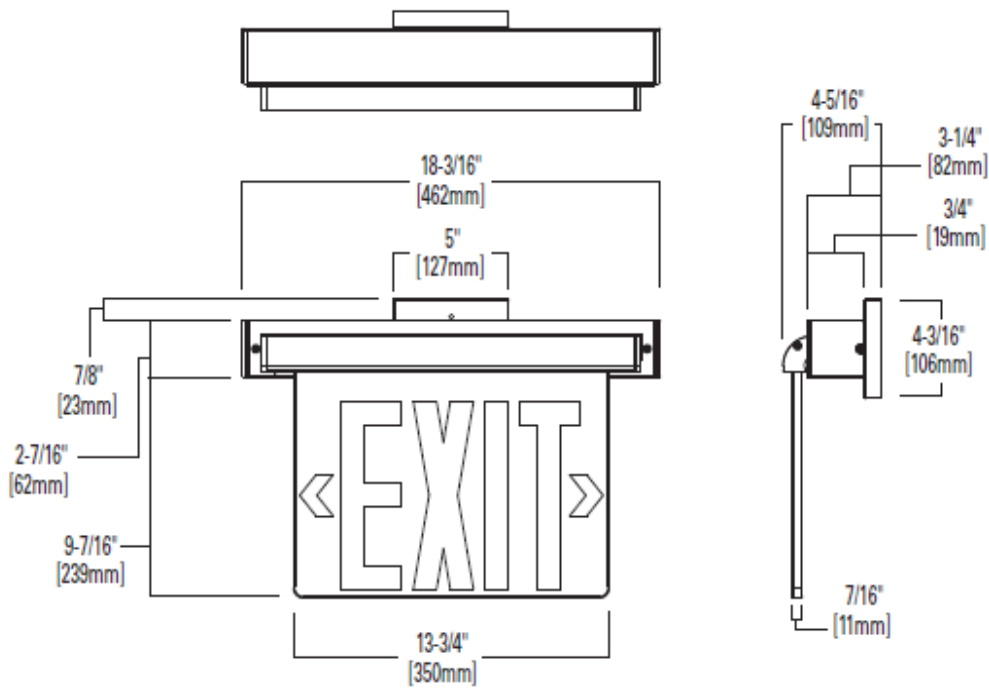
Battery: 15 Year Pro-rata

|     |                 |
|-----|-----------------|
| F   | Letter Color    |
| RD  | Red             |
| GN  | Green           |
| G   | Arrow Direction |
|     | No indicators   |
| LA  | Left indicator  |
| RA  | Right indicator |
| UA  | Up indicator    |
| DA  | Down indicator  |
| URA | 45 °up right    |
| DRA | 45 °down right  |
| ULA | 45 °up left     |
| DLA | 45 °down left   |

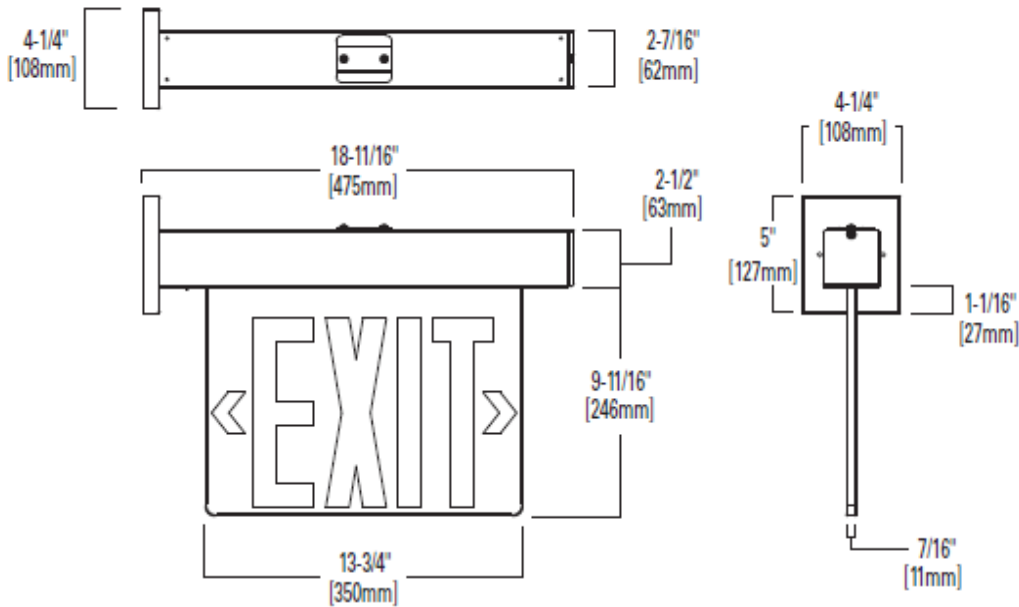
**Dimensions**



## Surface Wall



## End

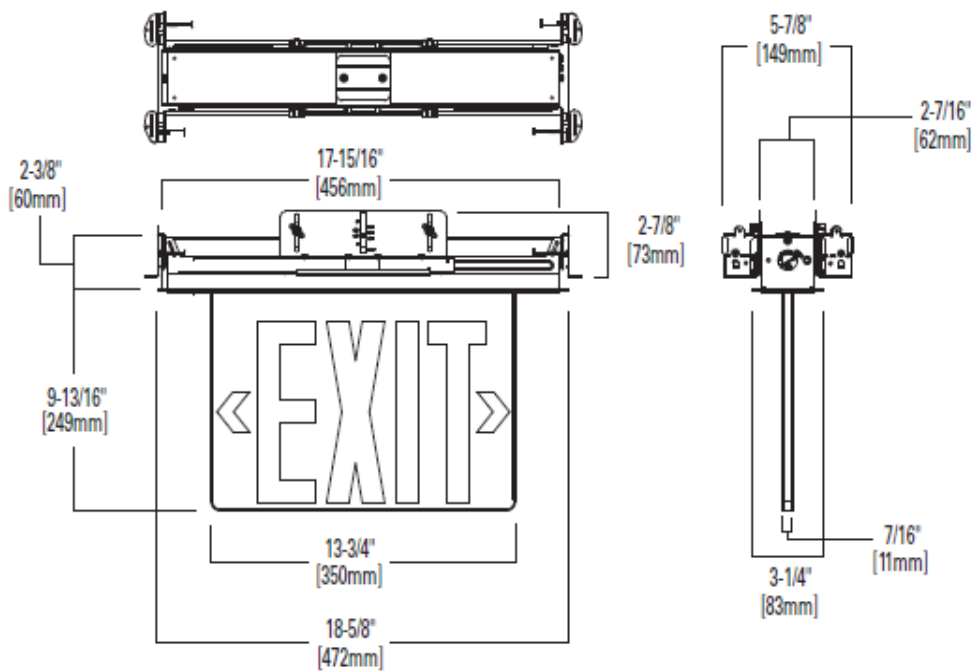


**Liteharbor Lighting Technology Co., Ltd.**  
 New Industry Area Hecun Danzao Town  
 Nanhai Foshan City Guangdong China

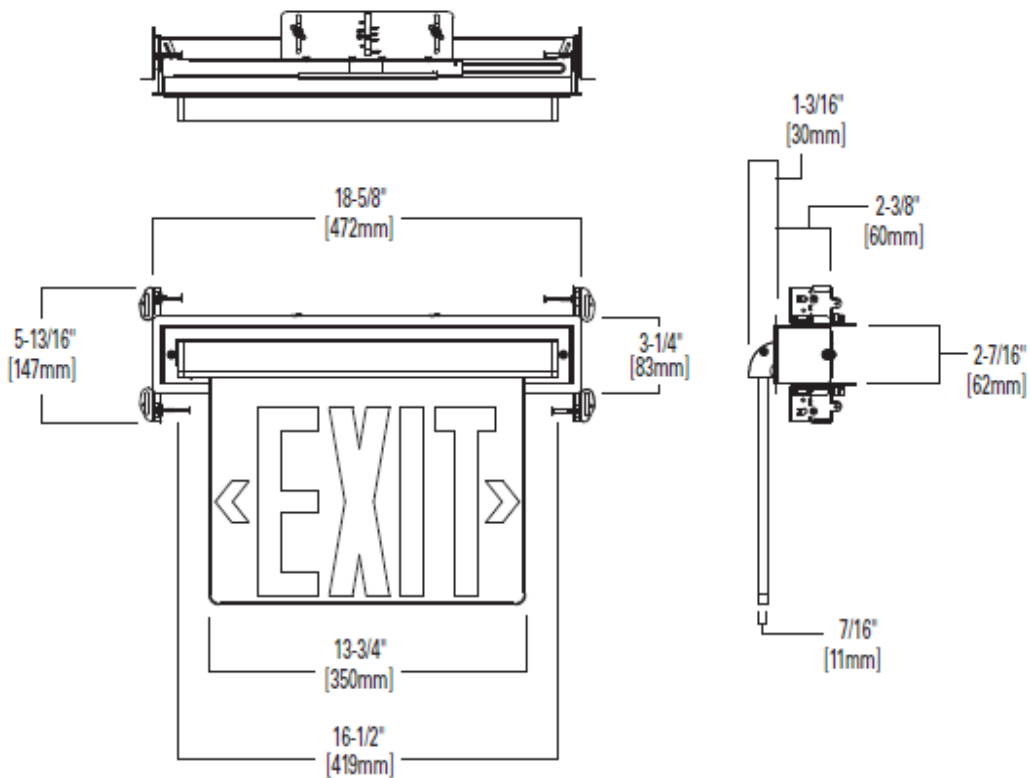
TEL: +86-757-8180 8675  
 FAX: +86-757-8180 8685  
 E-mail: info@liteharbor.com

Website: www.liteharbor.com  
 Specifications subject to change w/o notice  
 Revision: Oct. 2016

## Ceiling



## Recessed Wall

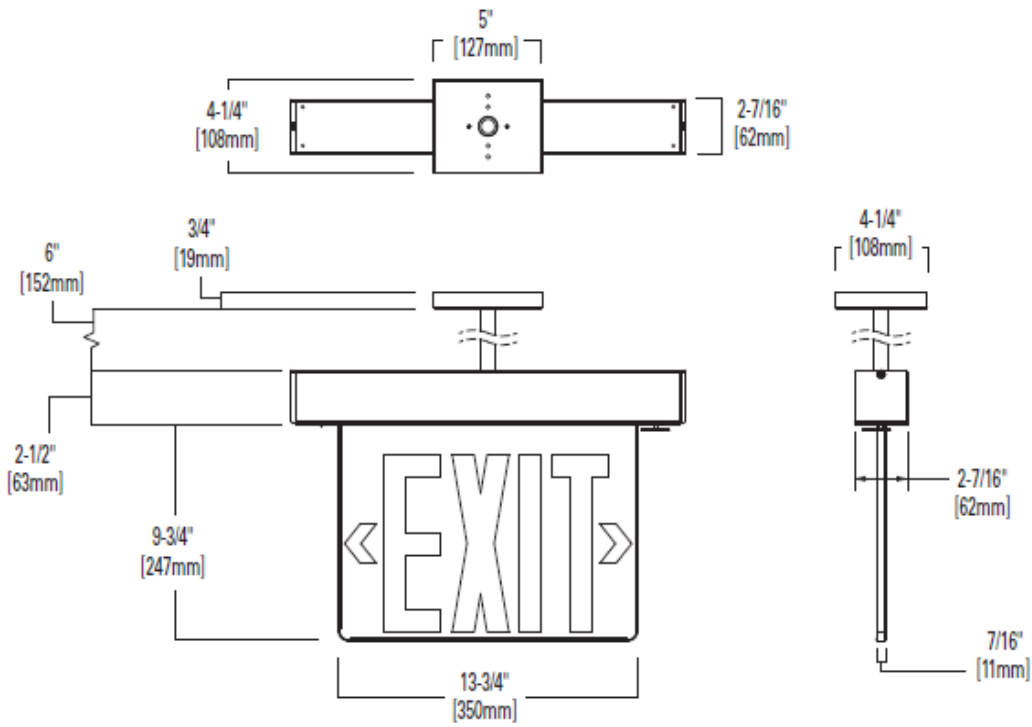


**Liteharbor Lighting Technology Co., Ltd.**  
 New Industry Area Hecun Danzao Town  
 Nanhai Foshan City Guangdong China

TEL: +86-757-8180 8675  
 FAX: +86-757-8180 8685  
 E-mail: info@liteharbor.com

Website: www.liteharbor.com  
 Specifications subject to change w/o notice  
 Revision: Oct. 2016

**With Optional 6" Pendant Kit**



**Liteharbor Lighting Technology Co., Ltd.**  
 New Industry Area Hecun Danzao Town  
 Nanhai Foshan City Guangdong China

TEL: +86-757-8180 8675  
 FAX: +86-757-8180 8685  
 E-mail: info@liteharbor.com

Website: www.liteharbor.com  
 Specifications subject to change w/o notice  
 Revision: Oct. 2016