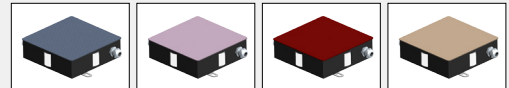
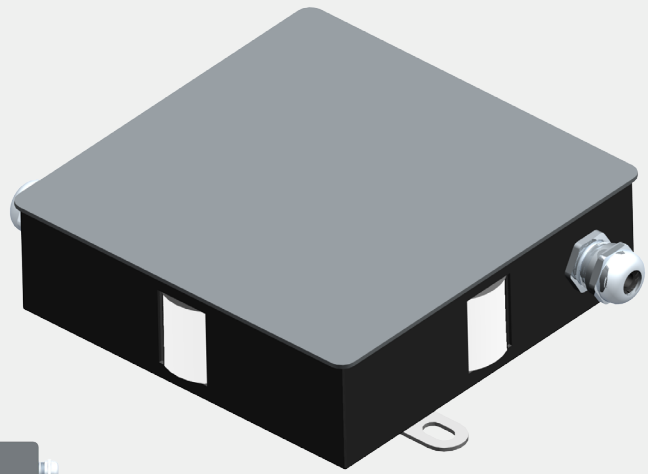




DG5703 WALL LIGHT



DESCRIPTION

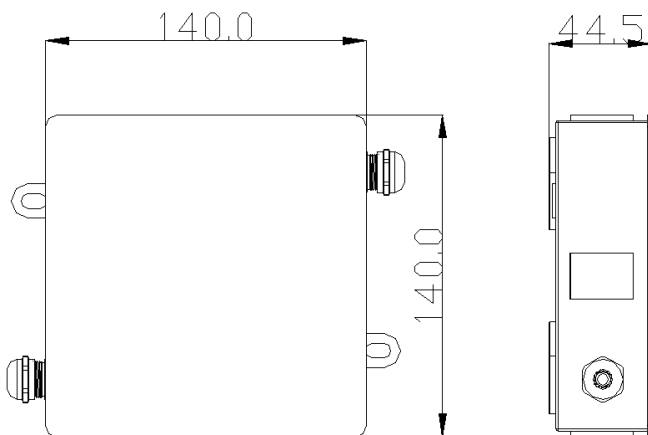
FEATURES

- Products selected high-strength materials, surface spray treatment, corrosion-resistant oxidation.
- The lens uses an optical PC convex mirror, high transmittance, impact resistance.
- Products with strong directivity, no flicker, no UV, fast response time, good brightness adjustable.
- Product angle can be provide different angles with light according to the requirements, light-emitting surface with single-sided luminescence, double-sided luminescence, three-sided luminescence and four-sided luminescence optional.
- Famous brand LED chip, high brightness, high luminous efficiency, low light decay, long service life.
- IP rating above IP65.
- Long life power driver 3,0000 hours service life with short circurt protection, open circuit protection,thermal protection etc.with the LED lamp life.

LISTING / WARRANTY

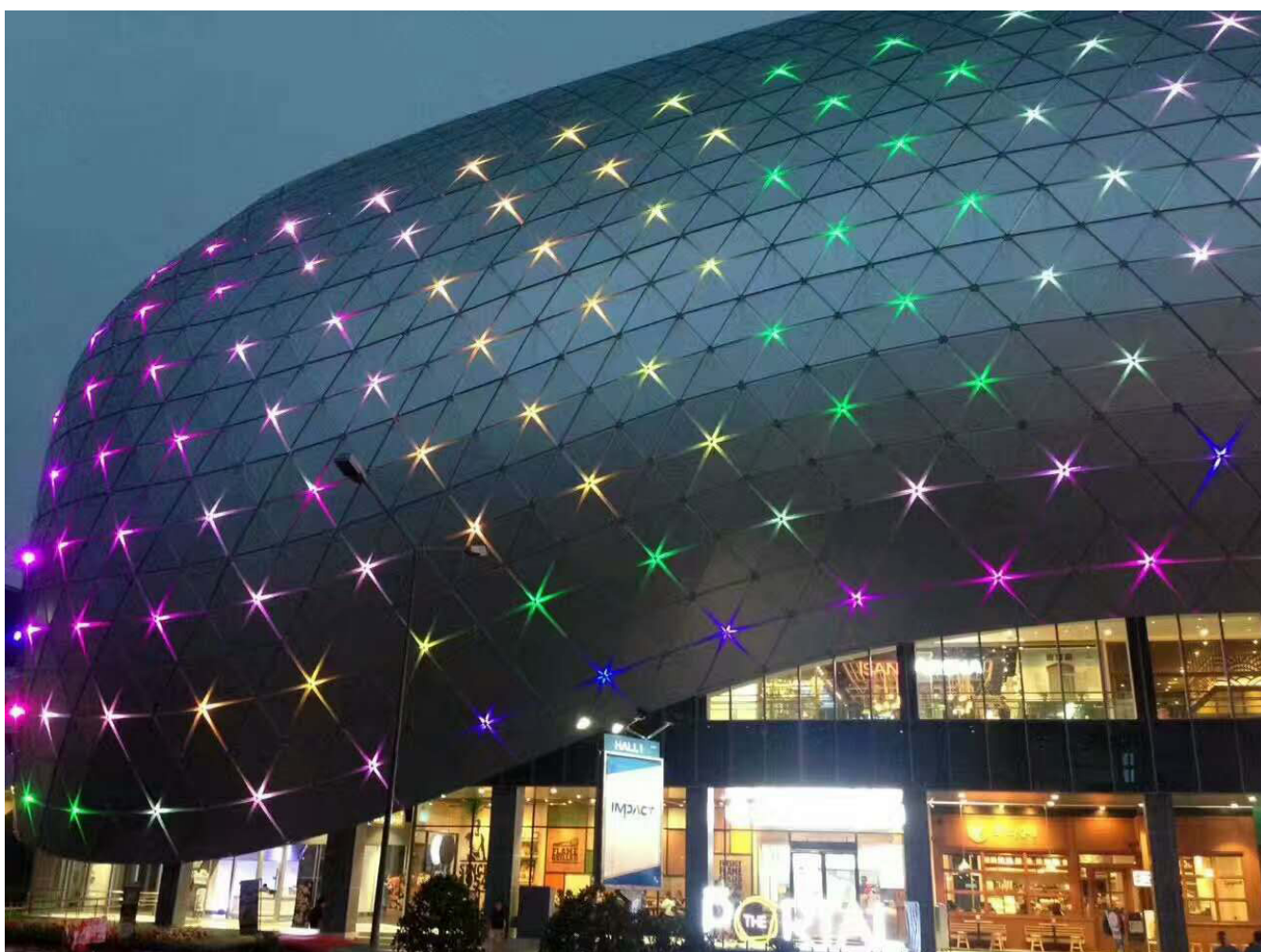
- ETL Listed to US and Canadian standards for wet locations
- 5 Year LED Limited Warranty

DIMENSIONS



L: 140xW: 140xH: 44.5mm





APPLICATION

– Applicable to building, bridge contours, hotels, billboards, curtain walls and night and other outdoor lighting.

ORDERING GUIDE

Model	Input Voltage	Single Power	LED QTY	Power	Colour	Control Mode	IP Rating
DG6451	DC24V	1W	4X4 pcs	16 W	Monochrome	Centralized Control	IP65
DG6451A	DC24V	1W	3X4 pcs	12 W	Monochrome	Centralized Control	IP65
DG6451B	DC24V	1W	2X4 pcs	8 W	Monochrome	Centralized Control	IP65
DG6451C	DC24V	1W	1X4 pcs	4 W	Monochrome	Centralized Control	IP65
DG6451D	DC24V	1W	4X4 pcs	16 W	RGB	DMX512	IP65
DG6451E	DC24V	1W	3X4 pcs	12 W	RGB	DMX512	IP65
DG6451F	DC24V	1W	2X4 pcs	8 W	RGB	DMX512	IP65
DG6451G	DC24V	1W	1X4 pcs	4 W	RGB	DMX512	IP65



[New Industry Area, Hecun, Danzao Town, Nanhai, Foshan City, China](#)

[0757-8180-8675](tel:0757-8180-8675)

www.liteharbor.com

info@liteharbor.com