



LED SPOT LIGHT DG6403



DESCRIPTION

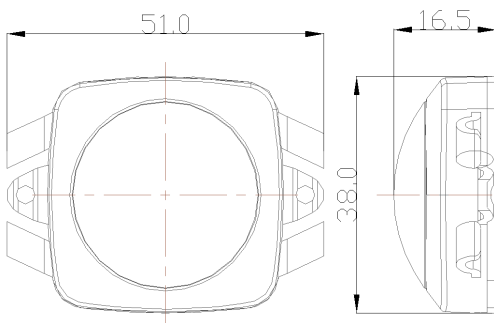
DATA

- Input: DC12-36V
- Life span: >50000h
- IP Rating: IP65
- Class: CLASS I
- Mounting: Cantilever mounting
- Working Temperature: -30 ~50°C
- Power Factor: >0.95
- Light Source: 5050 SMD
- Beam Angle: 180°

MOUNTING

- Wire rope suspension installation
- slot installation
- screw installation
- strong glue paste installation

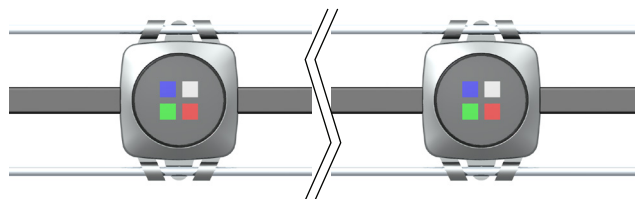
DIMENSIONS



L: 51xW: 38xH: 16.5mm

FEATURES

- Appearance simplicity, comfortable, unique shape.
- Simple but without losing the atmosphere
- Lamp structure. Electrical safety fully comply with EN60598 GB7000 standard requirements
- Waterproof structure design. IP Rating reaching IP65
- LED cold light source. Built in microcomputer chip. Can be arbitrary programming control. Multiple simultaneous changes
- Monochromatic change also can realize synchronous colorful gradient. saltus step.scanning.
- Light water color change effect and a plurality of point light source composed of LED dot matrix screen.
- Can change a variety of pictures.Text and animation effects
- a supplement to linear light sources and floodlights.elegant appearance design requirement
- LED Spot light can be used not only for dot matrix display
- For buildings, bridges and other city lighting project building outline hotels and entertainment venues indoor decorative lighting projects
- Long life power supply to ensure that the service life of 50000 hours or more with the short circuit protection open circuit protection thermal protection and other multiple protection function to achieve synchronization with the LED lamp life.



Website



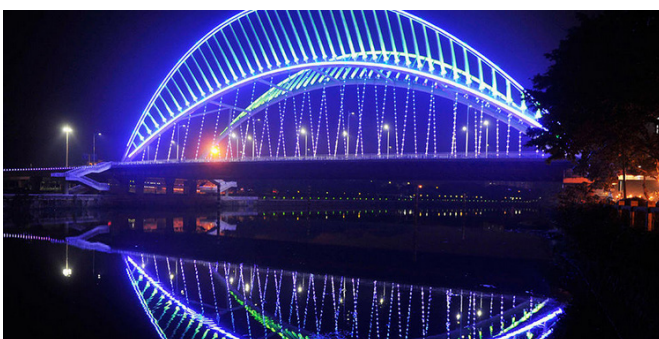
Facebook



Google+



Twitter



APPLICATION

- Suitable for to buildings, bridges, landmark buildings, billboards and other landscape lighting
- Other Special Requirements please Confirm with Factory

ORDERING GUIDE

Model	DG6403	DG6403A	DG6403B	DG6403C	DG6403D	DG6403E
Input Voltage	DC12-36V	DC12-36V	DC12-36V	DC12-36V	DC12-36V	DC12-36V
Power Factor	>0.95	>0.95	>0.95	>0.95	>0.95	>0.95
Pixel Type	1R1G1B	2R2G2B	3R3G3B	RGBW(3PCS)	RGBW(6PCS)	RGBW(1PCS)
Power	1W	2W	3W	1.5W	3W	1W
Light Source	5050 SMD					
Ermeability	60%-80%	60%	80%	60%	80%	60%
Ambient Temperature	-30 - -60°C					
Color Temperature	Warm white:2850K-3200K		Pure white:3700K-4200K		Cool white:4700K-5300K	
IP Rating	IP65					
Service Life	>50000h					
Installation	Suspension and installation of steel wire rope / Card slot installation / Screw mounting / Strong adhesive installation					
Dimensions	51x38x16.5mm					



Website



Facebook



Google+



Twitter

📍 New Industry Area, Hecun, Danzao Town, Nanhai, Foshan City, China

☎ 0757-8180-8675

🌐 www.liteharbor.com

✉ info@liteharbor.com