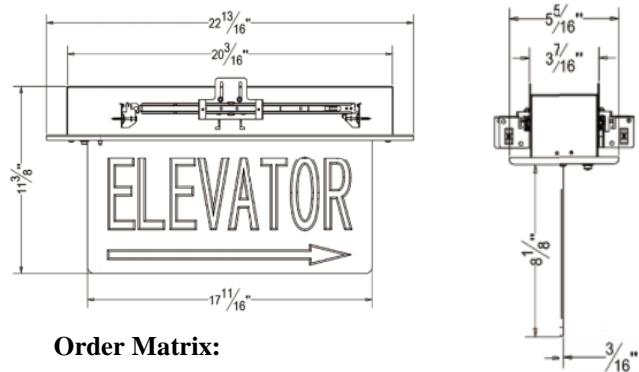


EXL012-EL LED Exit & Emergency Light

Catalog #		Prepared by	LiteHarbor
Project		Date	
Notes			



Order Matrix:

A B C D E F G

Item No.: EXL012-EL	
----------------------------	--

A	Series
EXL012-EL	Exit Light

B	Sign
	Exit Sign
R	Running

C	Input Voltage
120	120V
347	347V

D	Face Q'ty
SF	Single Face
DF	Double Face

E	Battery Backup
	Battery Backup
AC	AC Only



Description

- 1) Slim-profile extruded Aluminum housing
- 2) Extruded acrylic panel with pictogram legend
- 3) AC-Only or self-powered models.
- 4) 120V/347V AC operation.
- 5) Long-life, energy-saving LED technology.
- 6) Universal canopy available.
- 7) Universal knockout chevrons.

Mounting

Ceiling Recessed Mounting

Electrical

Universal 2-wire AC input Voltage of 120 to 347VAC
at less than 3Watts and universal 2-wire DC input Voltage
from 6 to 24VDC at 1-2 Watt consumption for single and double
face signs
White light-emitting diodes
Even illumination in normal and emergency operation

Battery

The sign is designed with a maintenance free



EXIT & EMERGENCY LIGHT



Liteharbor Lighting Technology Co., Ltd.
New Industry Area Hecun Danzao Town
Nanhai Foshan City Guangdong China

TEL: +86-757-8180 8675
FAX: +86-757-8180 8685
E-mail: info@liteharbor.com

Website: www.liteharbor.com
Specifications subject to change w/o notice
Revision: Jan. 2015

Self-Powered model delivers 90 minutes min. of back-up lighting
 Recharge time of the battery is twenty-four (24) hours.

F	Letter Color
RD	Red
GN	Green

Warranty

2 years limited warranty.

G	Arrow Direction
	No indicators
LA	Left indicator
RA	Right indicator
UA	Up indicator
DA	Down indicator
URA	45 °up right
DRA	45 °down right
ULA	45 °up left
DLA	45 °down left



EXIT & EMERGENCY LIGHT



Liteharbor Lighting Technology Co., Ltd.

New Industry Area Hecun Danzao Town
 Nanhai Foshan City Guangdong China

TEL: +86-757-8180 8675

FAX: +86-757-8180 8685

E-mail: info@liteharbor.com

Website: www.liteharbor.com

Specifications subject to change w/o notice

Revision: Jan. 2015