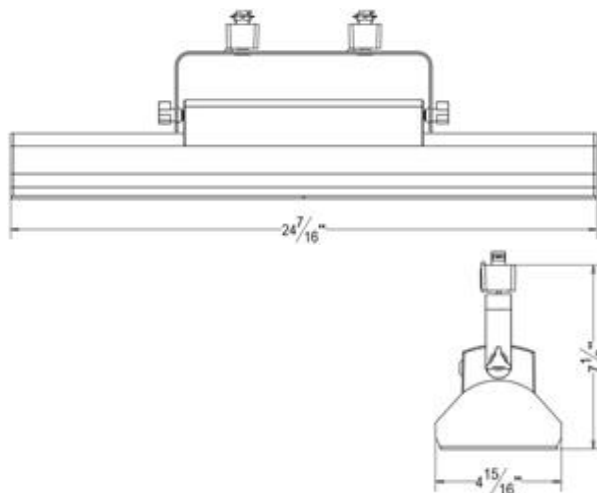


# K4023 Flood Wall Wash Track Light

Catalog #		Prepared by	LiteHarbor
Project		Date	
Notes			



## Flood Wall Wash Track Light

### Description

- Die-cast aluminum provides superior strength and rigidity.
- Specular parabolic louver.
- Computer contoured reflector.
- Low profile, aesthetic design.
- One or two circuit track capable.

### Finishes

- Black, White and Satin Nickel heat rated baked enamel paint.
- Custom painting or anodizing for special applications is also available.
- Custom finishes will require lead times that vary depending on vendor schedule. Please consult factory for quotation.

### Connections

- Standard track adapters.

### Aiming

- 90° vertical aiming capability.
- Two locking knobs provided.

### Adapters

- Contacts provide precise spring action - no arcing and will

A    B    C    D    E

Item No.:K4023

A	Series
K4023	Track Light

B	Wire
02W	2-wire
03W	3-wire
04W	4-wire

C	Finish
BK	Black
WH	White
SN	Satin Nickel



TRACK LIGHTING



Liteharbor Lighting Technology Co., Ltd.

New Industry Area Hecun Danzao Town  
Nanhai Foshan City Guangdong China

TEL: +86-757-8180 8675  
FAX: +86-757-8180 8685  
E-mail: info@liteharbor.com

Website: www.liteharbor.com  
Specifications subject to change w/o notice  
Revision: Jan. 2015

not take a set.

On/off switch optional.

Spring-loaded positive latch .

"Pull-up"contact to up position for two-circuit application.

D	Wattage
F232	TRT 2×32W
L242	LED 2×42W
L218	LED 2×18W

### Louver

One piece parabolic blade louvers are of sturdy,injection molded construction with snap-in design.

Specular louvers offer controlled brightness,with minimal loss in efficiency.

Equally efficient, white louvers have a more contemporary appearance and are easier to keep clean.

Black louvers provide excellent brightness control,but with a moderate reduction in fixture efficiency.

Louvers must be specified separately.

E	Color Temperature
28K	2800K
35K	3500K
50K	5000K

### Mounting

For ceiling mount installations only.

### Ballast

120V Magnetic Ballast.

120V Electronic Ballast.

End of lamp life protection.

### Lamp

2×32W TRT

2×42W TRT

LED 2×18W Max.

### Listing

c-UL-us Listed



## OPTIONAL ACCESSORIES



**K500**  
Global Adaptor  
Finish: WH/BK



**K600**  
Single/Two Circuit Live End  
Finish: WH/BK



**K601**  
Single /Two Circuit End Feed  
Finish: WH/BK



**K602**  
Single/Two Circuit Flexible Connector  
Finish: WH/BK



**K604**  
T-bar Attachment Clips For T-bar Drop Ceiling  
Finish: WH/BK/SN



**K605**  
Single/Two Circuit Floating Canopy  
Finish: WH/BK



**K606**  
Single/Two Circuit Live End With Box Cover  
Finish: WH/BK



**K607**  
Track End Cap  
Finish: WH/BK



**K608**  
Mini Coupling  
Finish: WH/BK



**K609**  
Single/Two Circuit T-Connector  
Finish: WH/BK



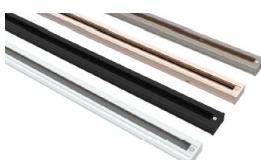
**K610**  
Single Circuit 90° Connector  
Finish: WH/BK



**K611**  
Single/Two Circuit X-Connector  
Finish: WH/BK



**K612**  
Live End With Cord&Plug  
Finish: WH/BK  
Available in 2 wire,3 wire,4 wire



**K5-3**  
Single Circuit/Two Circuit Track  
Single circuit track is rated for 2400W  
features 12-gauge copper conductors and

a separate ground conductor.  
Two circuit track includes 12-gauge copper conductors and features a double load capacity at 4800W max.  
Single/Two Circuit Track is available in white,black,and satin nickel finishes,and in 4,6,and 8-foot sizes,and can also be field cut to your preference.



**Liteharbor Lighting Technology Co., Ltd.**  
New Industry Area Hecun Danzao Town  
Nanhai Foshan City Guangdong China

TEL: +86-757-8180 8675  
FAX: +86-757-8180 8685  
E-mail: info@liteharbor.com

Website: www.liteharbor.com  
Specifications subject to change w/o notice  
Revision: Jan. 2015

