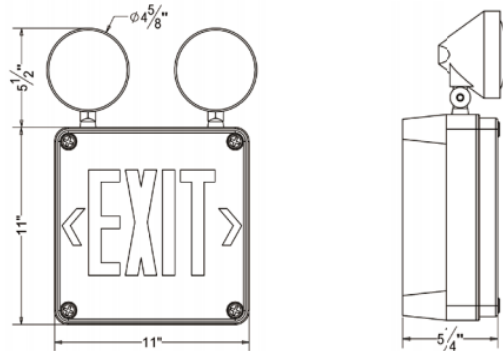


# XMI205 XML205 LED Exit & Emergency Light

<b>Catalog #</b>		<b>Prepared by</b>	LiteHarbor
<b>Project</b>		<b>Date</b>	
<b>Notes</b>			



**A**   **B**   **C**   **D**   **E**   **F**   **G**  
**H**

Item No.:XMI205 XML205

## Description

- 1) 4X high impact plastic housing
- 2) AC-Only or self-powered models.
- 3) 120V/347V AC operation.
- 4) Long-life, energy-saving LED technology.
- 5) Power-on LED indicator Light and push-to-test switch.
- 6) Comes standard with two pictogram films per face,  
for direction selection
- 7) Low volt battery disconnection-preventing deep  
discharge damage to the battery.
- 8) Universal knockout chevrons.
- 9) Innovative, snap-together design allows for fast installation
- 10) UL listed.
- 11) Warranty-2 years limited warranty.

## Housing Colour

WH / BK

## Letter Colour

Green / Red

## Mounting

Universal (wall, side or ceiling mounting)  
Key hole slots are stamped into the backplate

	A Series
XMI205 XML205	Exit Combo

	B Sign
	Exit Sign
	R Running

	C Input Voltage
	120V
347	347V

	D Face Q'ty
SF	Single Face
DF	Double Face

	E Battery Backup
	Battery Backup
AC	AC Only



EXIT & EMERGENCY LIGHT



**Liteharbor Lighting Technology Co., Ltd.**  
New Industry Area Hecun Danzao Town  
Nanhai Foshan City Guangdong China

TEL: +86-757-8180 8675  
FAX: +86-757-8180 8685  
E-mail: info@liteharbor.com

Website: www.liteharbor.com  
Specifications subject to change w/o notice  
Revision: Jan. 2015

### Lamps

LED mounted on print circuit board (for exit sign)  
2X6V 6 watt T15 wedge base lamps for emergency mode

F	Housing Color
BK	Black
WH	White

### Battery

Lead-Calcium battery (6v 4.5Ah)  
The sign is designed with a maintenance free  
Self-Powered model delivers standard two hours of  
back-up lighting  
Recharge time of the battery is twenty-four (24) hours.

G	Letter Color
RD	Red
GN	Green

### Warranty

2 years limited warranty.

H	Arrow Direction
	No indicators
LA	Left indicator
RA	Right indicator
UA	Up indicator
DA	Down indicator
URA	45 ° up right
DRA	45 ° down right
ULA	45 ° up left
DLA	45 ° down left



**Liteharbor Lighting Technology Co., Ltd.**

New Industry Area Hecun Danzao Town  
Nanhai Foshan City Guangdong China

TEL: +86-757-8180 8675

FAX: +86-757-8180 8685

E-mail: info@liteharbor.com

Website: www.liteharbor.com

Specifications subject to change w/o notice

Revision: Jan. 2015