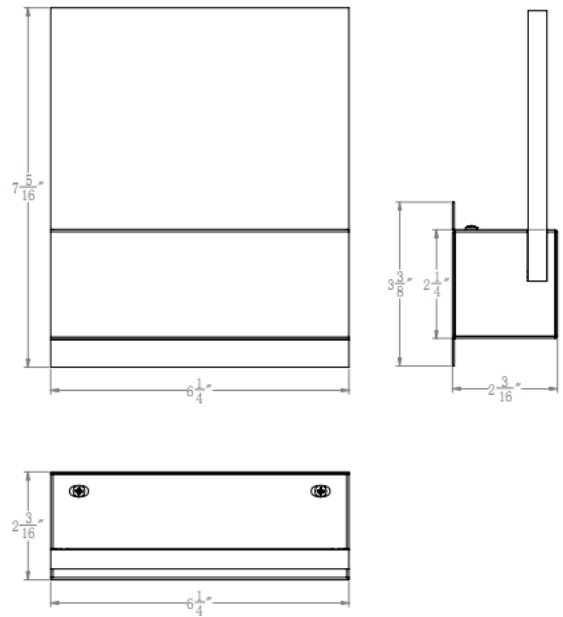




WS-D001

Doorplate LED Wall Sconce

Catalog #		Prepared by	LiteHarbor
Project		Date	
Notes			



Feature

- Good colour rendering , CRI above 80
- Low energy, even distribution
- Low UV
- Easy installation, mount on standard junction box
- ETL listed for dry location
- Good alternative for conventional door number plate
- Can use the numbers and letters to combine any house number
- Acrylic signs with mounted integrated LED base Laser

Specification

Light Source: SMD LED
 Chip Supplier: Seoul/Cree/Epistar/Osram
 Color Temperature: 2700-4000K
 Input Voltage : AC100-240V 50/60Hz
 Wattage: 4W
 Lumen: 200LM
 PF>0.9
 Power Efficiency: 83%
 CRI: >80

ORDER MATRIX | Example: WS-D001

A B C D E

A | Series
 WS-D001 | Doorplate LED Wall Sconce

B | Face Sign Number
 | Customize

C | Color Temperature
 27K | 2700K
 30K | 3000K
 40K | 4000K



WALL SCONCE



Liteharbor Lighting Technology Co., Ltd.
 New Industry Area Hecun Danzao Town
 Nanhai Foshan City Guangdong China

TEL: +86-757-8180 8675
 FAX: +86-757-8180 8685
 E-mail: info@liteharbor.com

Website: www.liteharbor.com
 Specifications subject to change w/o notice
 Revision: Mar. 2017

Electric Shock Proof Protection Garde: Class II

Working Environment: -35°C - 40°C

IP Rating: IP23

Working Life Time: 20000Hrs

D	Finish
WH	White
BK	Black
SN	Satin Nickel

Material

Iron(Powder coated finished)+Acrylic(Laser Engraving)

E	LED Available
Cree	Cree
Epistar	Epistar
Seoul	Seoul
Osram	Osram

Package

Inner Box: 260x95x270MM 1PSC/CTN

Outer Carton: 53.5X40x29.5CM 8PSC/CTN

Warranty

5 years limited warranty.

Application



WALL SCENCE

Installation

Follow the assembly instructions by reading the numerical progression.

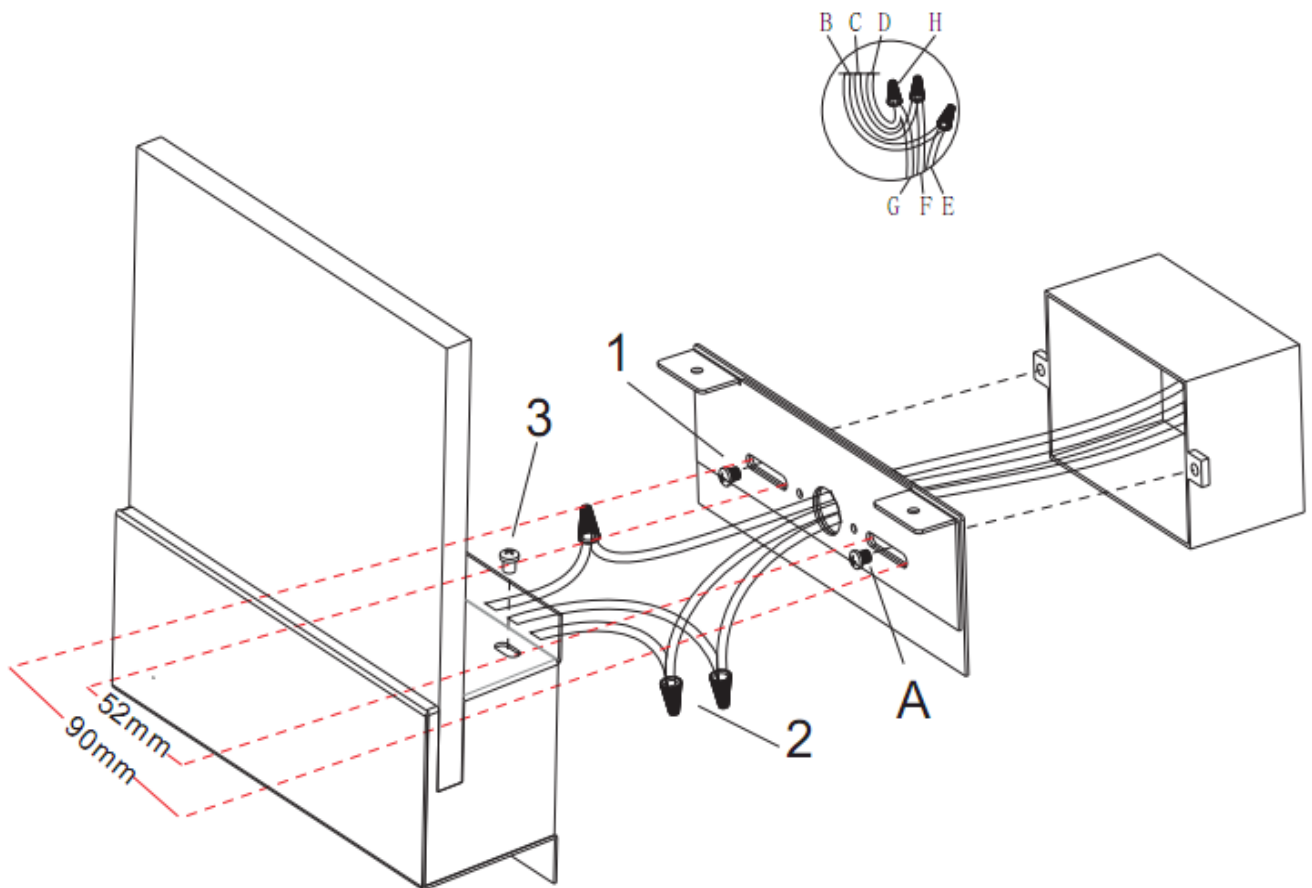
Use a qualified electrician for installation of this lighting fixture.

Before installing fixture, disconnect power by turning off the circuit breaker or by removing the fuse at the fuse box.

All electrical connections must be in accordance with local and National Electrical Code standards.

Use CSA or UL listed wire connectors suitable for the gauge, type and number of conductors.

Attach junction box grounding wire (green or bare copper) and the bare copper wire from the fixture together.



A-Outlet Box screw x 2

B-Black wire(L) from junction box

C-White wire(N) from junction box

D-Green wire/Bare copper (G) from junction box

E-Black wire (L) from fixture

F-White wire (N) from fixture

G-Green wire/Bare copper from fixture

H-Wire connector x 3



Liteharbor Lighting Technology Co., Ltd.

New Industry Area Hecun Danzao Town

Nanhai Foshan City Guangdong China

TEL: +86-757-8180 8675

FAX: +86-757-8180 8685

E-mail: info@liteharbor.com

Website: www.liteharbor.com

Specifications subject to change w/o notice

Revision: Mar. 2017