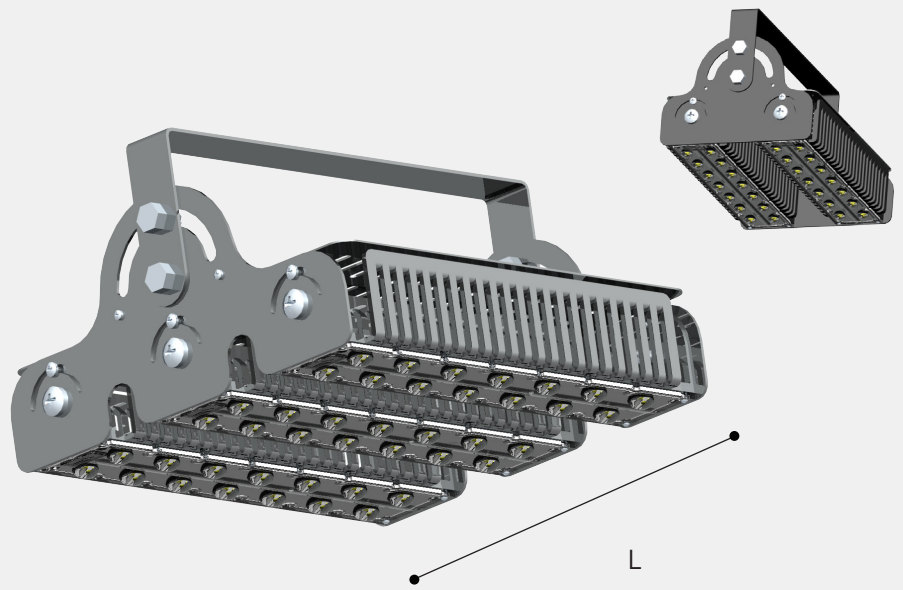




LED TUNNEL LIGHT DG5401



DESCRIPTION

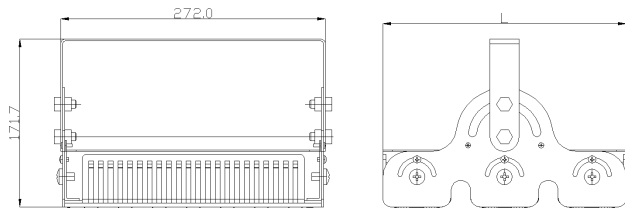
DESCRIPTION

- Specifically designed for road lighting needs
- To optimize the design of a new type of environmental protection and energy saving products which meet the special requirements of the road.
- This product uses CREE high power LED light source.

FEATURES

- The smooth linear and the LED structure characteristic organic combination, Appearance simplicity and comfortable, The concept design of the humanized structure of the lamp.
- To maintain good heat dissipation effect, to ensure the life of LED.
- the whole lamp protection level is good, reaching IP65.
- Unique two light distribution design, the lost light curve is a bat wing, the standard rectangular light spot, to ensure that the light distance in the 40M can achieve good uniformity.
- Long life power supply to ensure that the service life of 50000 hours or more, with the short circuit protection open circuit protection, thermal protection and other multiple protection functions, to achieve synchronization with the LED lamp life

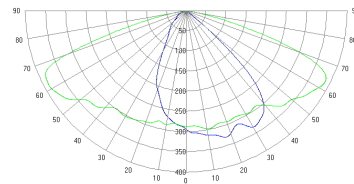
DIMENSIONS



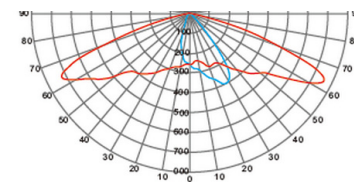
DETAILS

- Power Factor: >0.95
- Working Temperature: -30 --50°C
- Input Voltage: AC90-305V
- IP Rating: IP65
- Class: CLASS I
- Mounting: Cantilever mounting
- CRI >75

LIGHT DISTRIBUTION CURVE



R1



R2

APPLICATION

- Suitable for urban major road, secondary road, sidewalk residential zones, Industrial area, square, park, school, Villa courtyard etc.
- Other Special Requirements please Confirm with Factory





ORDERING GUIDE

Model	DG5401	DG5401A	DG5401B	DG5401C	DG5401D	DG5401E
Input Voltage	AC90-305V	AC90-305V	AC90-305V	AC90-305V	AC90-305V	AC90-305V
Power Factor	>0.95	>0.95	>0.95	>0.95	>0.95	>0.95
LED Light	15WX3	20WX3	120W	150W	80W	30WX2
Power	90W	100W	120W	150W	120W	100W
Luminous Efficiency	>110lm/W	>110lm/W	>110lm/W	>110lm/W	>110lm/W	>110lm/W
Light Distribution	R1 R2	R1 R2	R1 R2	R1 R2	R1 R2	R1 R2
Luminous flux	9900lm	11000lm	13200lm	16500lm	8800lm	11000lm
Ambient Temperature	-30 - -50°C					
Color Temperature	Warm white:2850K-3200K		Pure white:3700K-4200K		Cool white:4700K-5300K	
IP Rating	IP65					
Service Life	>50000h					
Installation	Jettied Mounting					
Dimensions	L=250mm	L=250mm	L=250mm	L=170mm	L=170mm	L=170mm
Model	DG5401F	DG5401G	DG5401H	DG5401I	DG5401J	DG5401K
Input Voltage	AC90-305V	AC90-305V	AC90-305V	AC90-305V	AC90-305V	AC90-305V
Power Factor	>0.95	>0.95	>0.95	>0.95	>0.95	>0.95
LED Light	15WX4	20WX4	30WX4	15WX5	20WX5	30WX5
Power	120W	140W	160W	120W	140W	160W
Luminous Efficiency	>110lm/W	>110lm/W	>110lm/W	>110lm/W	>110lm/W	>110lm/W
Light Distribution	R1 R2	R1 R2	R1 R2	R1 R2	R1 R2	R1 R2
Luminous flux	13200lm	15400lm	17600lm	13200lm	15400lm	17600lm
Ambient Temperature	-30 - -50°C					
Color Temperature	Warm white:2850K-3200K		Pure white:3700K-4200K		Cool white:4700K-5300K	
IP Rating	IP65					
Service Life	>50000h					
Installation	Jettied Mounting					
Dimensions	L=340mm	L=340mm	L=340mm	L=430mm	L=430mm	L=430mm



📍 New Industry Area, Hecun, Danzao Town, Nanhai, Foshan City, China

☎ 0757-8180-8675

🌐 www.liteharbor.com

✉ info@liteharbor.com