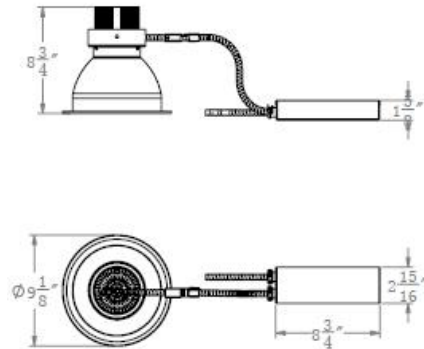


BL-8001-R 8" Architectural Retrofit LED Downlight

Catalog #		Prepared by	LiteHarbor
Project		Date	
Notes			



8" Architectural Retrofit LED Downlight

Description

- 1) Lighting is smooth and comfortable while using 50% less energy than the common CFL downlight.
- 2) Eco-friendly no lead or mercury
- 3) Designed to install into an existing downlights mounting frame and convert them into energy efficient LED downlights to save anywhere from 35% up to 75% on energy cost.
- 4) Ideal suited for use in commercial, retail and other architectural applications
- 5) Available with dedicated Emergency Battery Back-up

Electrical System

Thermal protection guard protects the LED module from overheating and will dim LED module if necessary

Clearance

Frames require a minimum clearance of 3" ring from thermal insulation and 1/2" from adjacent building component.

Mounting

- 1) Designed to install into an existing downlights mounting frame and convert them into energy efficient LED downlights.
- 2) Flex is designed to attach into existing junction box.

Order Matrix:

A B C D E F G H J

Item No.: BL-8001-R

A	Series
BL-8001-R	8" Architectural Retrofit Downlight

B	Input Voltage
	120V
277	277V
U	120-277V

C	LED Available
Cree	Cree
Citizen	Citizen
Epistar	Epistar
Seoul	Seoul
Osram	Osram



Liteharbor Lighting Technology Co., Ltd.
New Industry Area Hecun Danzao Town
Nanhai Foshan City Guangdong China

TEL: +86-757-8180 8675
FAX: +86-757-8180 8685
E-mail: info@liteharbor.com

Website: www.liteharbor.com
Specifications subject to change w/o notice
Revision: August, 2017



- 3)Vertically adjustable universal mounting brackets accept flat bar hangers, conduit or C channel.
- 4)The reflector assembly is held in with 4 “butter-fly” spring clips.
- 5)Reflector assy quickly attaches with lockable quick connect. Hanger bars ordered separately.
- 6)Compatible with C-channel, flat bar wood joist bar hanger and EMT

LISTING / WARRANTY

ETL listed to US and Canadian standards for damp location W/Feed through.
5 Years Limited Warranty.

Other Special Requirements Please Confirm with Factory

D	Dimmable
	Non-Dimmable
DM	Dimmable

E	Wattage/Lumen Output
900	11W/900 Lumen
1200	15W/1200 Lumen
1500	18W/1500 Lumen
2000	25W/2000 Lumen

F	Color Temperature
30K	3000K
40K	4000K
50K	5000K

G	Trim
SF	Self Flanged
SFW	Self Flanged White NO Flange

H	Lens Type
CR	Clear Tempered
SB	Sand Blasted

J	Reflector Finish
C	Clear
HZ	Haze
WH	White

