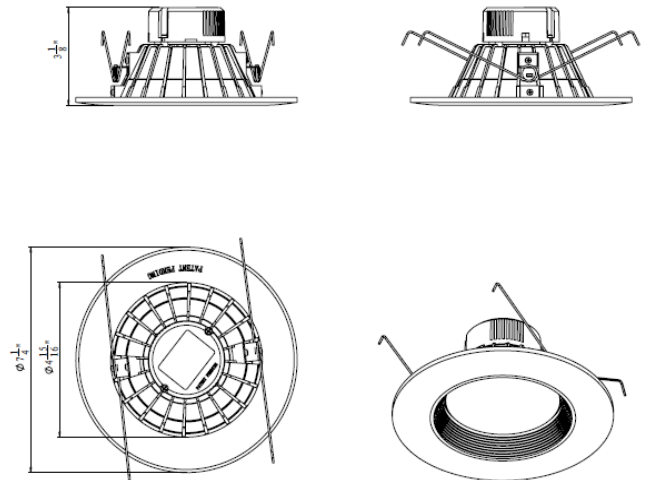


BL5-003 5 Inch Baffle LED Retrofit

Catalog #		Prepared by	LiteHarbor
Project		Date	
Notes			



ORDER MATRIX | Example:BL5-003

<u>A</u>	<u>B</u>	<u>C</u>	<u>D</u>	<u>E</u>	<u>F</u>
A	Series				
BL5-003	5" LED Downlight Retrofit				
B	Input Voltage				
	120V				
277	277V				
U	120-277V				
C	Dimmable				
	Non-Dimmable				
DM	Dimmable				
D	LED Available				
Cree	Cree				
Citizen	Citizen				
Epistar	Epistar				
Seoul	Seoul				
Osram	Osram				

Description

All-in-one LED baffle retrofit trim designed to use with Liteharbor 5 inch recessed residential downlight. Provide 50000 hours of life at 70% lumen maintenance. No lead or mercury. Trim shipped with a medium base socket adapter whip.

LED Light Engine

Cree true white® technology available
CRI>80%
Color temperature: 2700K-5000K
Rated for 50000 hours at 70% lumen output

Driver

Dedicated 120 volt driver
Power factor >0.9
Dimmable to 10% with most brand dimmers
Rated for 50 to 60Hz at 120V/277V input
Produces less than 20% THD

Wattage

Input Power: 16W (+/-5%)
Lumens: 1100LM/1250LM



LED RETROFIT



Liteharbor Lighting Technology Co., Ltd.

New Industry Area Hecun Danzao Town
Nanhai Foshan City Guangdong China

TEL: +86-757-8180 8675

FAX: +86-757-8180 8685

E-mail: info@liteharbor.com

Website: www.liteharbor.com

Specifications subject to change w/o notice

Revision: Jan. 2015

E	Lumen Output
1100	1100 Lumen
1250	1250 Lumen

F	Color Temperature
27K	2700K
40K	4000K
50K	5000K

Listing & Warranty

ETL listed to US and Canadian standards for wet locations

5-Year Limited Warranty



LED RETROFIT



Liteharbor Lighting Technology Co., Ltd.

New Industry Area Hecun Danzao Town

Nanhai Foshan City Guangdong China

TEL: +86-757-8180 8675

FAX: +86-757-8180 8685

E-mail: info@liteharbor.com

Website: www.liteharbor.com

Specifications subject to change w/o notice

Revision: Jan. 2015